

LITEFLAM® XT 90 minute

Multi-panel IGU system

PRODUCT FEATURES

This advanced floor system is impact resistant and fire rated for 90 minutes. **LITEFLAM XT 90** is a patented insulated glass floor assembly developed for interior glass floors and exterior skylights.

Engineered to meet ASTM E 2751 for design / performance of supported laminated glass, high volume foot traffic and extreme loading.

Units installed from above for safe easy installation.

Options include: sacrificial sheet, durable non-slip surfaces, Low E coatings, factory glazed units with sealed Air - spaces.

SPECIFICATIONS

Fire rating: 90 Minutes

US/Canadian Fire Rating Testing: ASTM E 119, UL 263, NFPA 251, CAN ULC-S101

Impact Safety Rating: CPSC 16 1201 (CATEGORIES I & II)

Tested Slip Resistance: ASTM C 1028 / UL 410

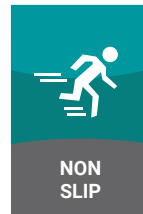
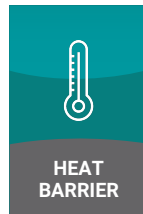
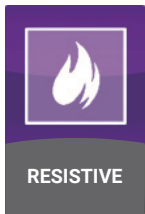
Nominal Glass Thickness (in.; mm): 3-7/16" (87 mm)

Thickness Tolerance (in.;mm): +1/8" to -1/16" (+3mm to -1.5mm)

Weight (lbs./ft. ;kg/m): 32 (14.5)

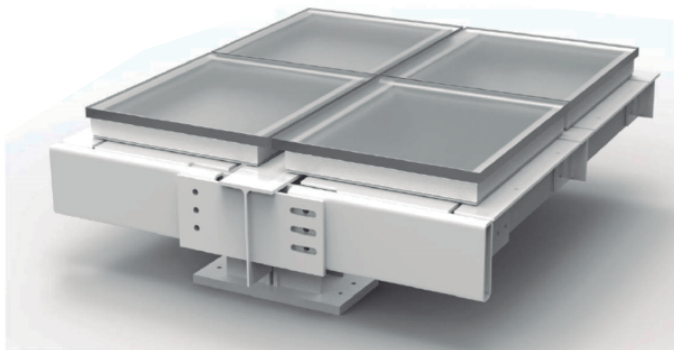
Minimum Live loading 100 PSF: Optional higher loading available

STC: 56.0 dB



MAXIMUM DIMENSIONS

Rating	Application	Max Area of Glass (Sq. In.)	Max Width of Glass	Installation
90 Minutes	Horizontal	3090"	88 1/2"	Please request installation details



SAFETY CERTIFICATIONS:

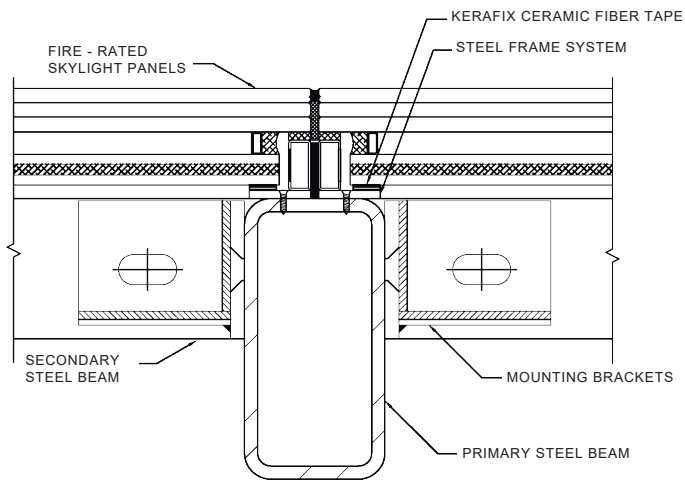


SOUTHWEST RESEARCH INSTITUTE

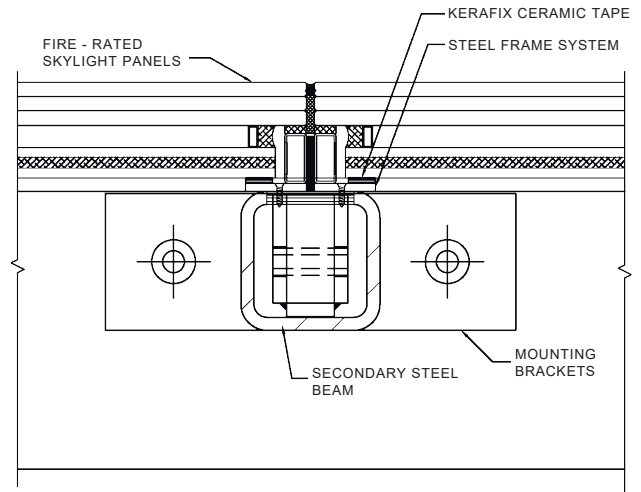
LITEFLAM® XT 90 minute

Multi-panel IGU system

STANDARD DETAILS:



PRIMARY BEAM CONNECTION



SECONDARY BEAM CONNECTION

OPTIONAL SACRIFICIAL SHEET DETAIL:

