

# LITEFLAM® XT 60 minute

## Multi-panel IGU system

### PRODUCT FEATURES

This advanced floor system is impact resistant and fire rated for 60 minutes. **LITEFLAM XT 60** is a patented insulated glass floor assembly developed for interior glass floors and exterior skylights.

Engineered to meet ASTM E 2751 for design / performance of supported laminated glass, high volume foot traffic and extreme loading.

Units installed from above for safe easy installation.

Options include: sacrificial sheet, durable non-slip surfaces, Low E coatings, factory glazed units with sealed Air - spaces.

### SPECIFICATIONS

**Fire rating:** 60 Minutes

**US/Canadian Fire Rating Testing:** ASTM E 119, UL 263, NFPA 251, CAN ULC-S101

**Impact Safety Rating:** CPSC 16 1201 (CATEGORIES I & II)

**Tested Slip Resistance:** ASTM C 1028 / UL 410

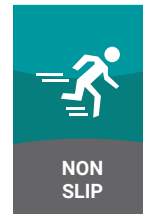
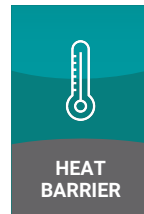
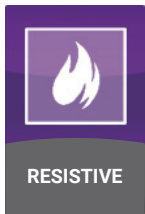
**Nominal Glass Thickness (in.; mm):** 2- 3/4" (70 mm)

**Thickness Tolerance (in.;mm):** +1/8" to -1/16" (+3mm to -1.5mm)

**Weight (lbs./ft. ;kg/m ):** 26 (11.7)

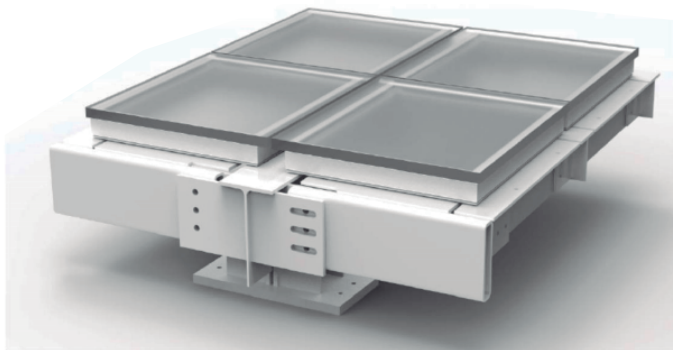
**Minimum Live loading 100 PSF:** Optional higher loading available

**STC:** 52.0 dB



### MAXIMUM DIMENSIONS

Rating	Application	Max Area of Glass (Sq. In.)	Max Width of Glass	Installation
60 Minutes	Horizontal	3481"	88 1/2"	Please request installation details



### SAFETY CERTIFICATIONS:

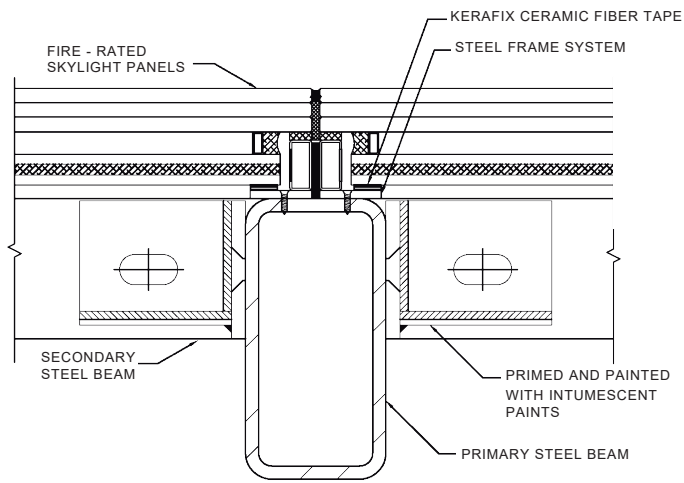


SOUTHWEST RESEARCH INSTITUTE

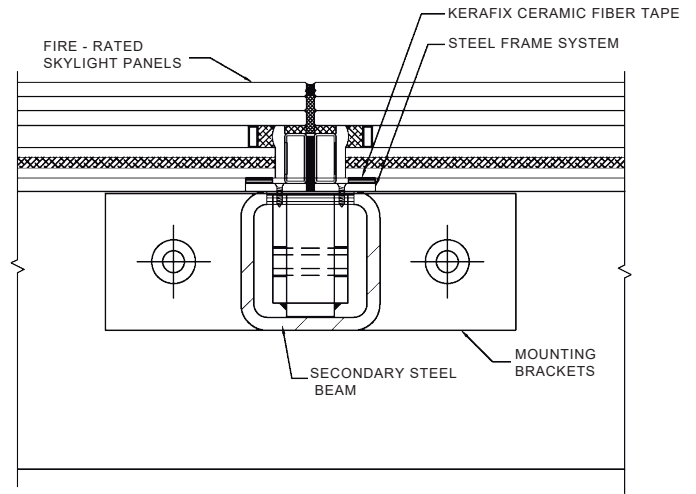
# LITEFLAM® XT 60 minute

## Multi-panel IGU system

### STANDARD DETAILS:



PRIMARY BEAM CONNECTION



SECONDARY BEAM CONNECTION

### OPTIONAL SACRIFICIAL SHEET DETAIL:

